

0.1 percent accuracy class spot measurement tool of voltage, current and power factor on the distribution grid

The LineWatch Check Tool is an integral part of the LineWatch M sensor installation. The fully automated system is designed to quickly and easily calibrate the sensors in the field with highly accurate voltage and phase angle measurements.

The Check Tool can also be used as a precision stand-alone, quick reference tool for spot measuring phase-to-neutral voltage, phase current, and power flow on a live line.

A Patent Pending capacitive voltage divider delivers unprecedented accuracy.

Uses Include:

- ⚡ Measuring feeder primary voltage, current and power
- ⚡ Troubleshooting distribution circuits
- ⚡ Site survey for Capacitor Bank placement
- ⚡ Automated Setup Tool software makes LineWatch M sensor install quick and easy
- ⚡ Can be used in conjunction with any Windows based PC/laptop/tablet



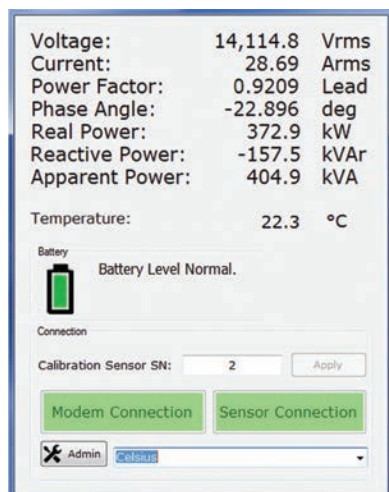
FEATURES/BENEFITS

- Quick and easy sensor calibration in situ
- Measurement of live line conditions
- Most accurate hot stick power meter on the market
- No need for multiple tools—combined current and voltage in same device
- Real and reactive power flow measurements
- Windows-compatible RF Dongle for automated setup and reporting
- Can log measurements to local file

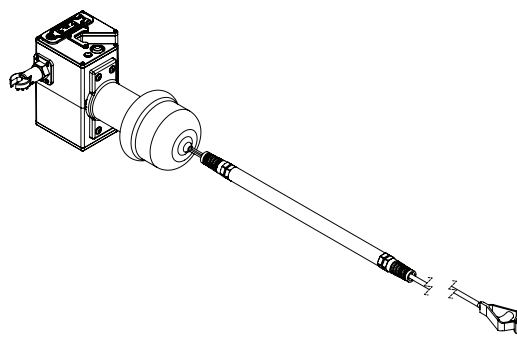


For Medium Voltage Lines (up to 36kV)

Technical Specifications			
Sensing System Capabilities			
Electrical Frequency	50 and 60 Hz	Update Rate	5 seconds
Measurement Voltage	Rated: 7.2, 14.4, and 19.9 kV Phase to Neutral Maximum: 36kV	Rated Current	400 Arms
Voltage Withstand	IEC 60044-7:1999 35kV class: 70kV Power Frequency withstand, 170kV BIL	Maximum Current	600 Arms
Voltage Accuracy	± 0.1%	Current Accuracy	± 0.5%
Phase Angle Accuracy	± 5 Arc Minutes	Radio Frequency	2.4GHz ISM Band
Power Accuracy	± 0.6%	Communication Range	50 ft
Physical and Environmental			
Weight	5.6 lbs.	Conductor Sizes	#2 AWG to 447 kcmil
Operating Temperature	-20°C to 30°C	Storage Temperature	-40°C to 85°C
Humidity	0 - 95% RH	Ingress Protection	IP 65



LineWatch Check Tool screen shot



Contact Information:

350 Second Ave
 Waltham, MA 02451
 1.781.684.4000

LineWatch@QinetiQ-NA.com
www.LineWatch.com

